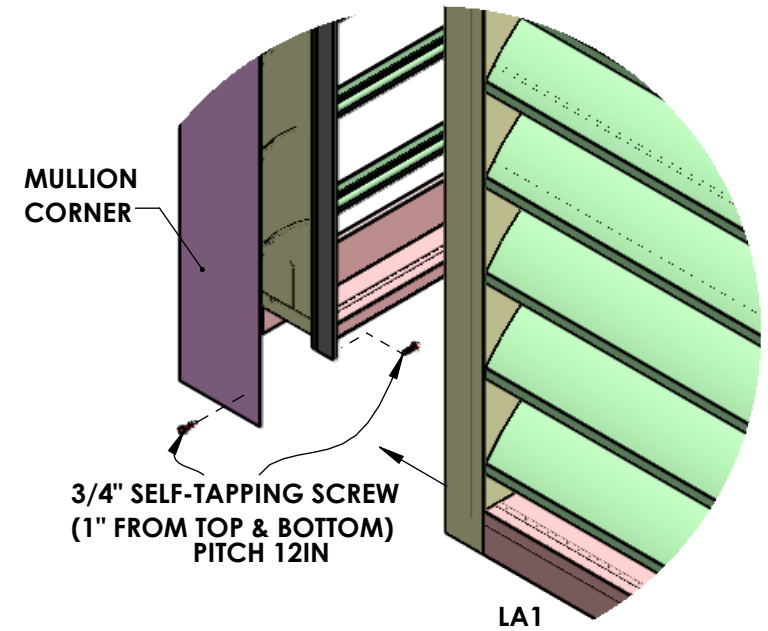
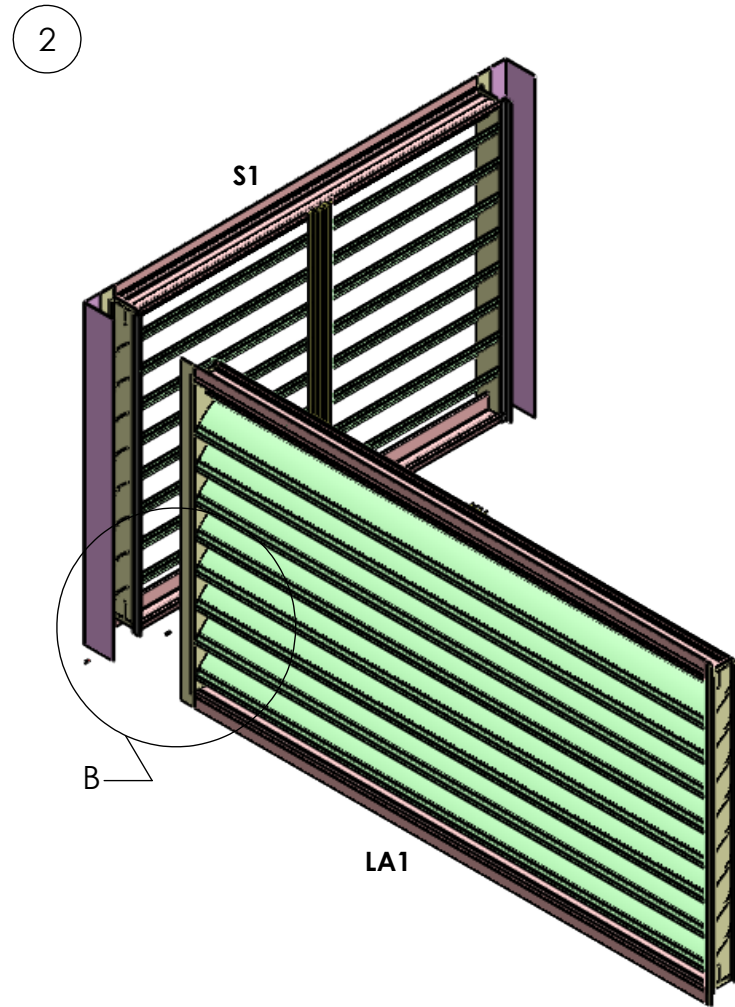
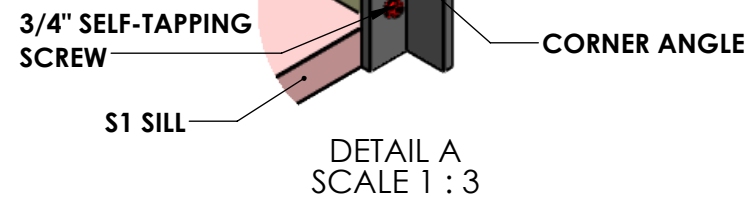
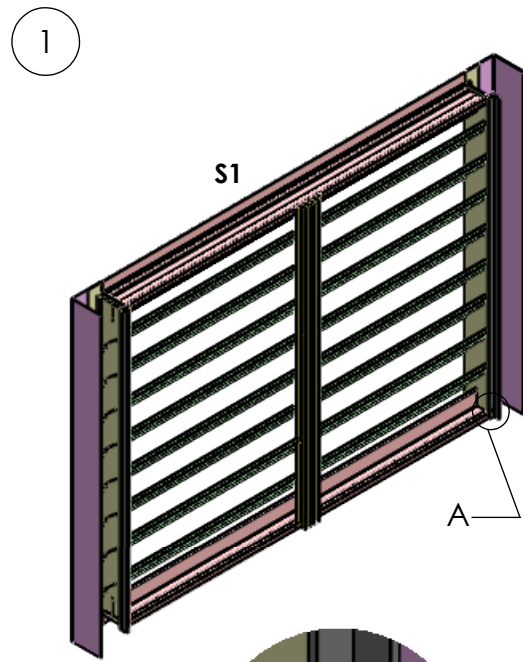


PENTHOUSE ASSEMBLY INSTRUCTIONS

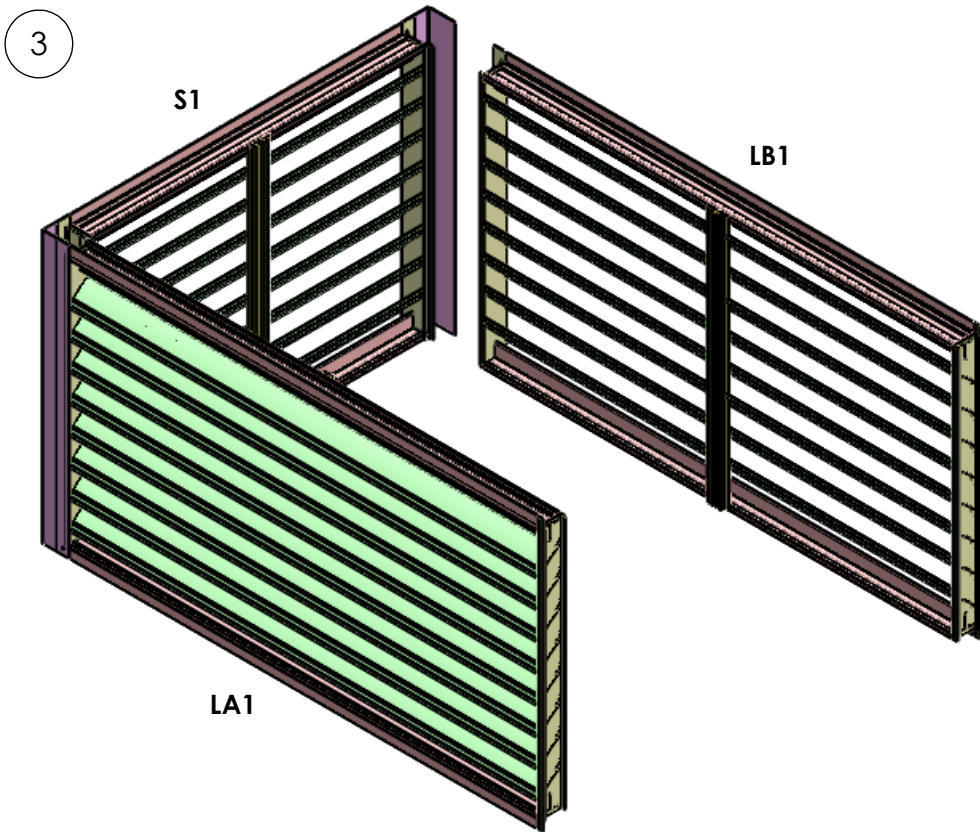
LEGEND		
PARTS	QTY.	DESCRIPTION
S1	1	SHORT SIDE LOUVER WITH MULLION AND CORNER ANGLES FACTORY INSTALLED
S2	1	SAME AS S1
LA1	1	LOUVER PANEL TO BE ASSEMBLED WITH S1
LA2	1	LOUVER PANEL TO BE ASSEMBLED WITH S2
LB1	1	LOUVER PANEL TO BE ASSEMBLED WITH S1
LB2	1	LOUVER PANEL TO BE ASSEMBLED WITH S2
SC	4	SUPPORT CHANNEL; 2 FOR EACH PENTHOUSE SECTION
RS	5	ROOF SUPPORT ANGLES; USED AS BASE FOR ROOF
R1	2	ROOF PANEL FOR SHORT ENDS
R2	1	ROOF PANEL 2; USED TO ATTACH R1 & R2
R3	3	ROOF PANEL 3
BCA		BLADE CARRIER ANGLES; USED IN PLACE OF BLADE CARRIERS WHEN PENTHOUSE EXCEEDS 96" X 96" AND MUST MEET SNOW LOADS
FASTENER		3/4" SELF-TAPPING SCREW
FASTENER		1-1/2" SELF TAPPING SCREW
FASTENER		1/2" ROUND WASHER HEAD SELF TAPPING SCREW
FASTENER		2" HEX CAP BOLT
FASTENER		5/16" HEX NUT
FASTENER		3/4" PAN HEAD SCREW OR HEX SOCKET SCREW

PARTS SHOWN IN LEGEND ARE FOR 169" X 60.5" X 45"
 (1 X 2 SECTION) PENTHOUSE

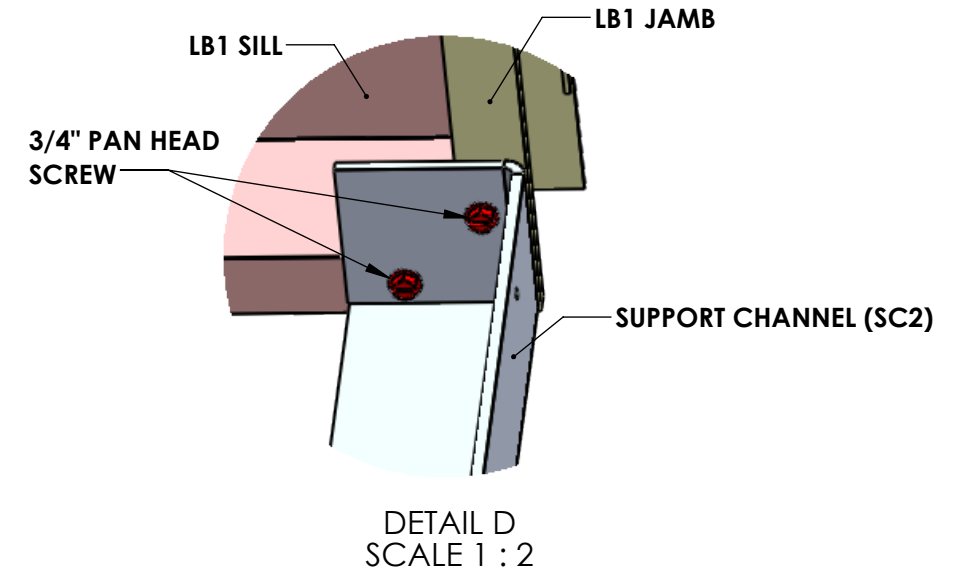
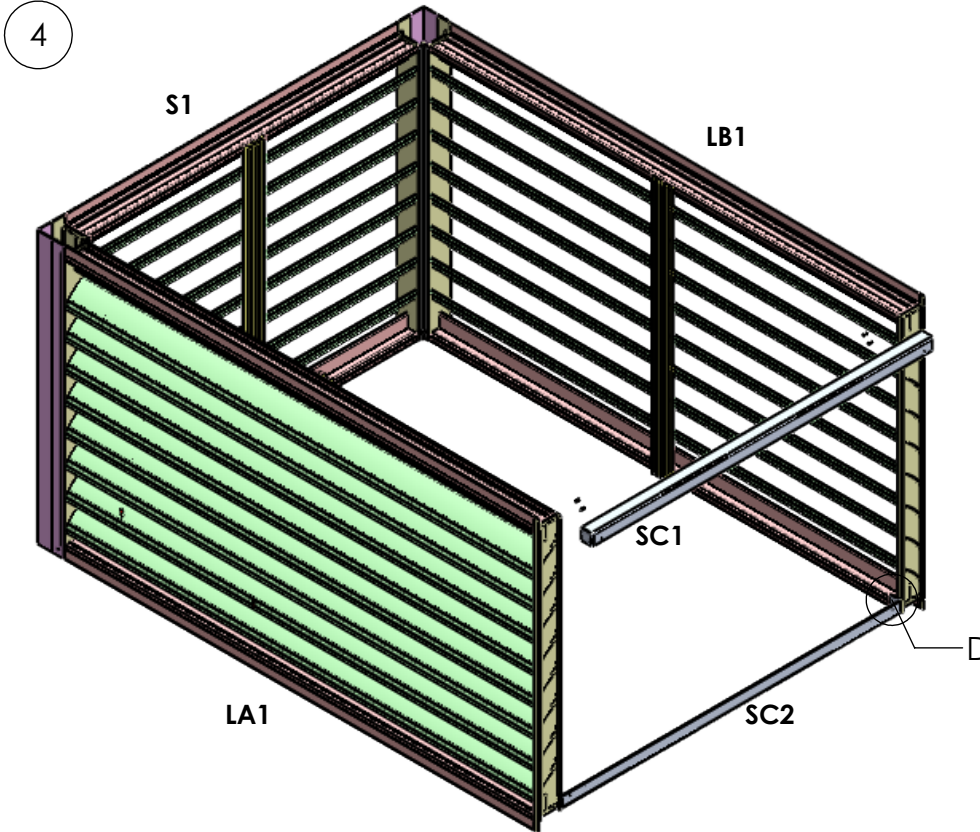
NOTE: QUANTITY OF THE PARTS DEPENDS ON
 THE SIZE OF THE PENTHOUSE ORDERED.



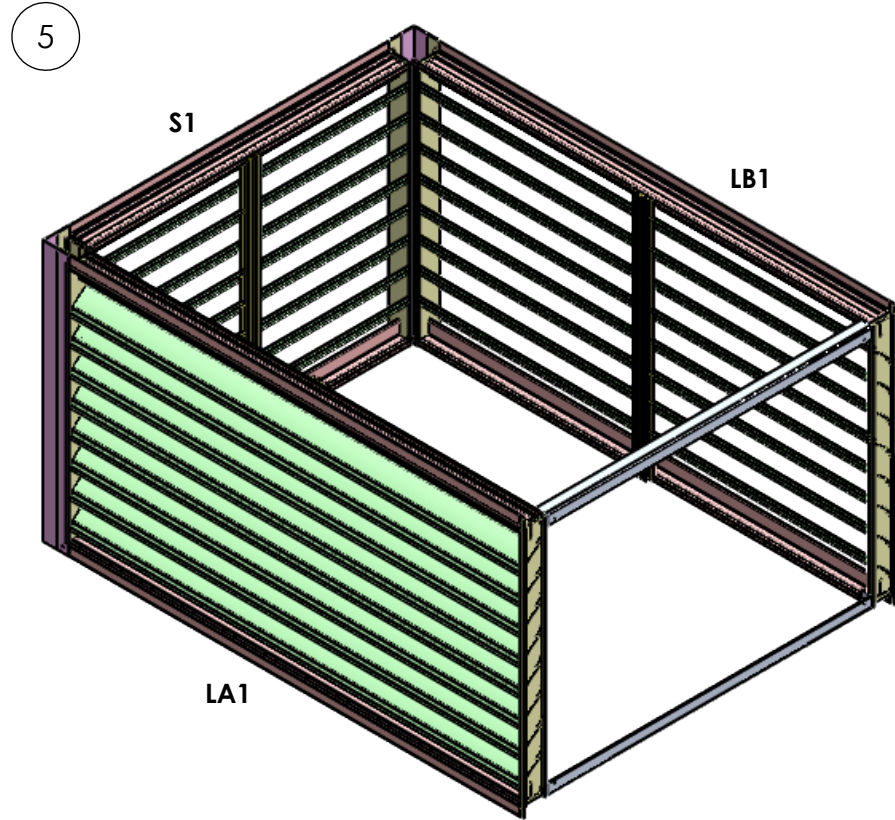
DETAIL B
 SCALE 1 : 8
 LOOSEN SCREWS IN SECTION S1 ANGLES
 TO MAKE ROOM FOR ADJUSTMENTS. (SEE ABOVE)
 REPEAT IN STEP 3



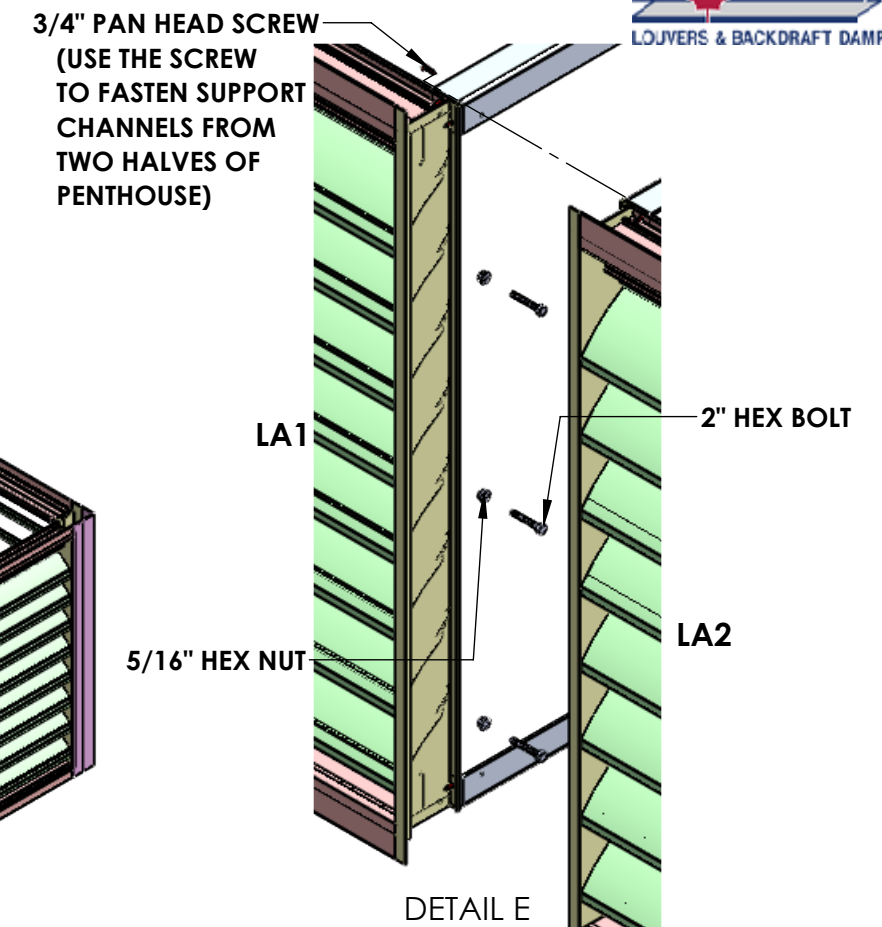
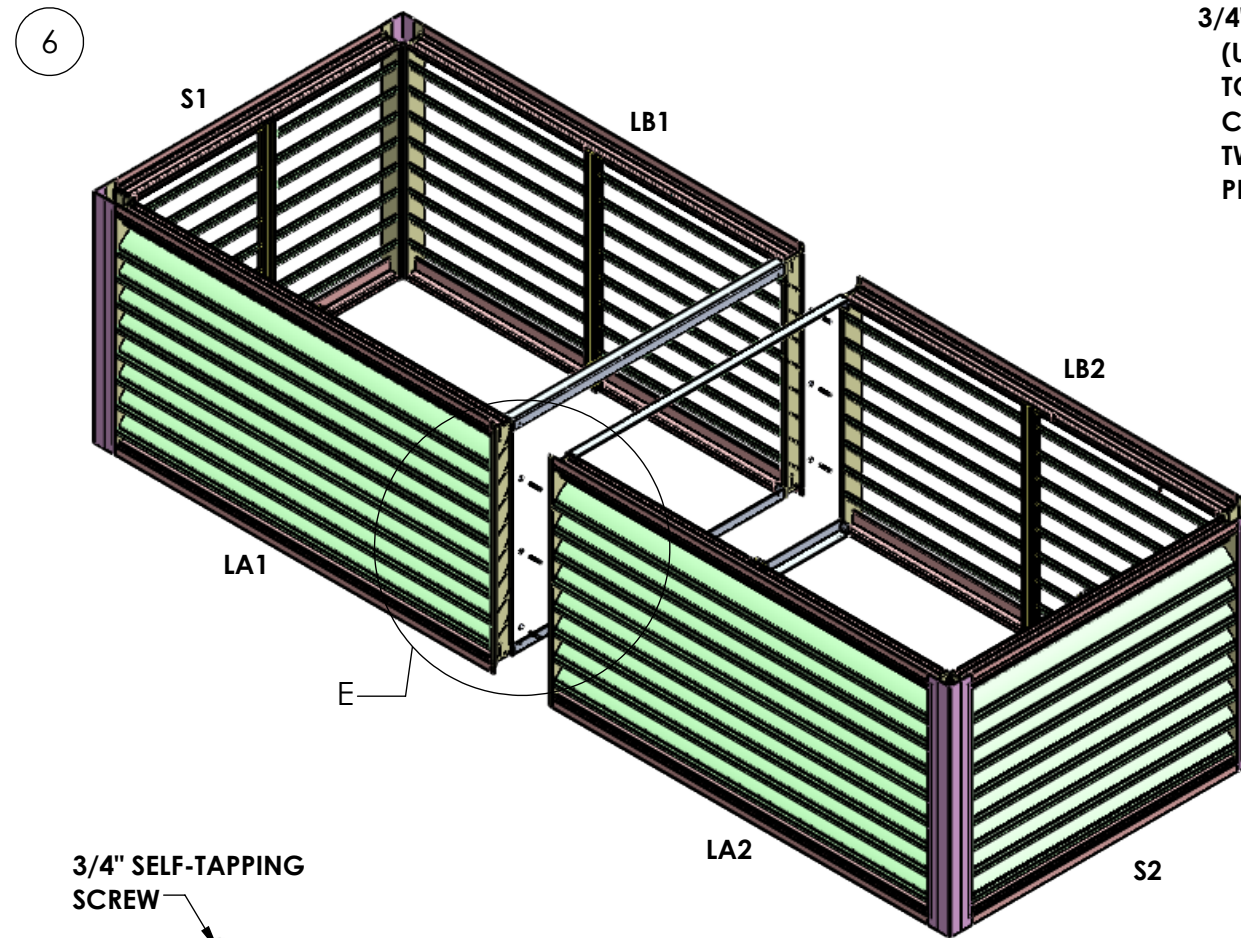
ASSEMBLE LB1 PANEL SAME AS LA1



PENTHOUSE ASSEMBLY INSTRUCTIONS

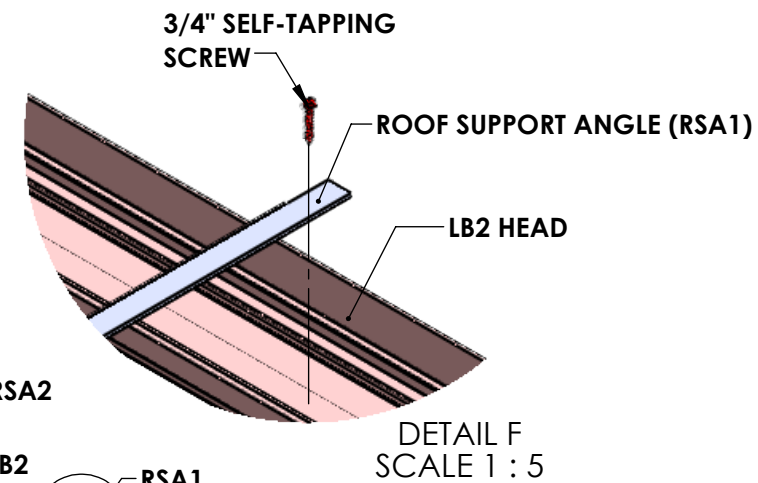
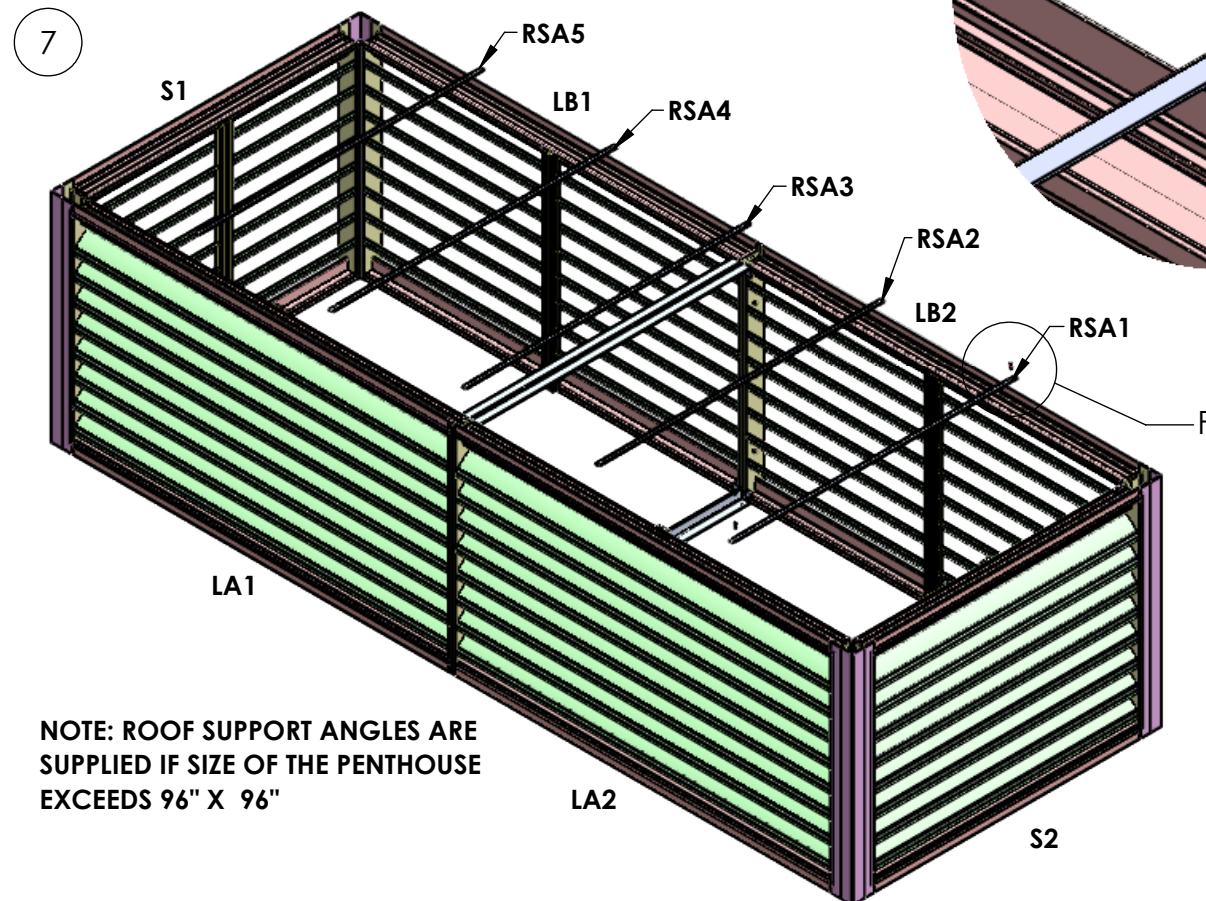


THE OTHER HALF OF THE PENTHOUSE WILL BE ASSEMBLED SIMILARLY.
 USE THE RIGHT TAGGED PARTS AS SHOWN

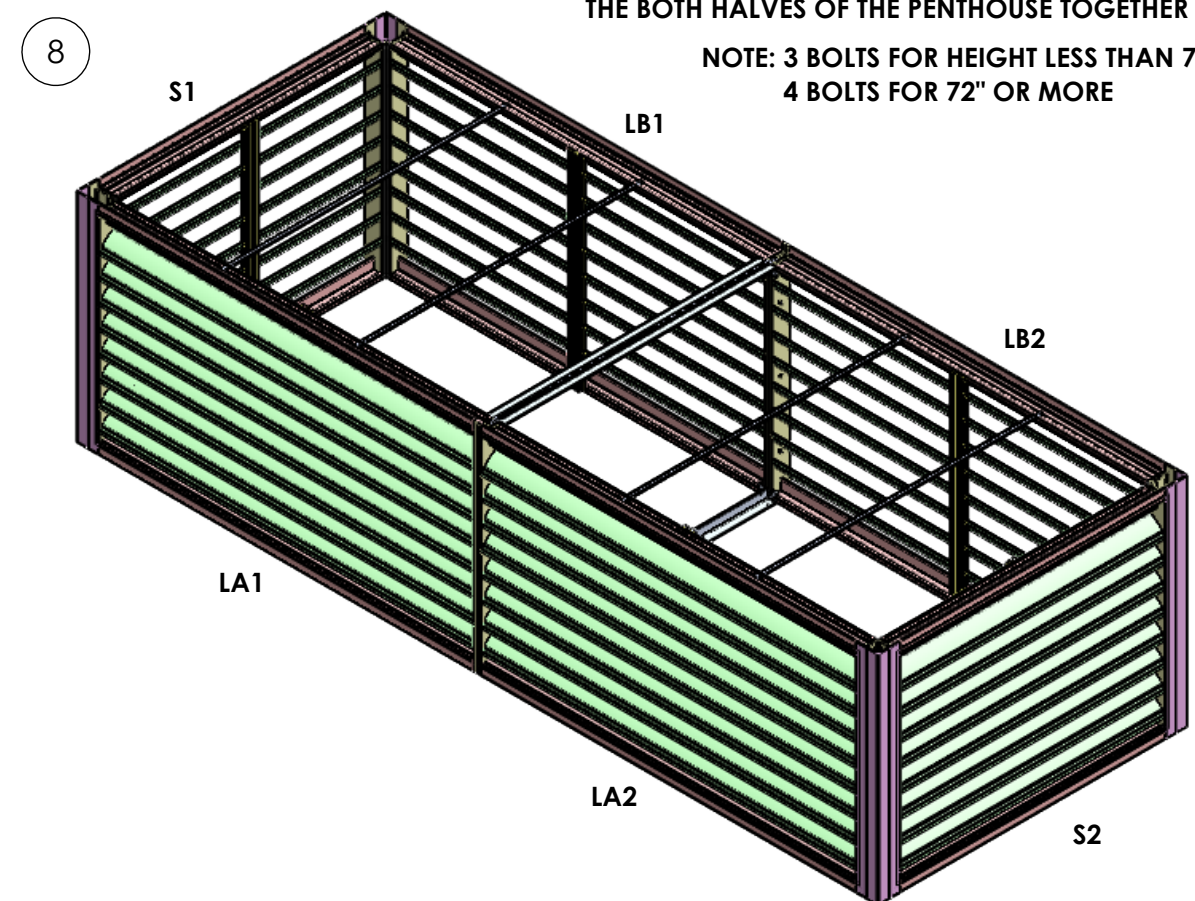


USE THE PROVIDED HEX BOLTS AND SCREWS TO ASSEMBLE
 THE BOTH HALVES OF THE PENTHOUSE TOGETHER AS SHOWN.

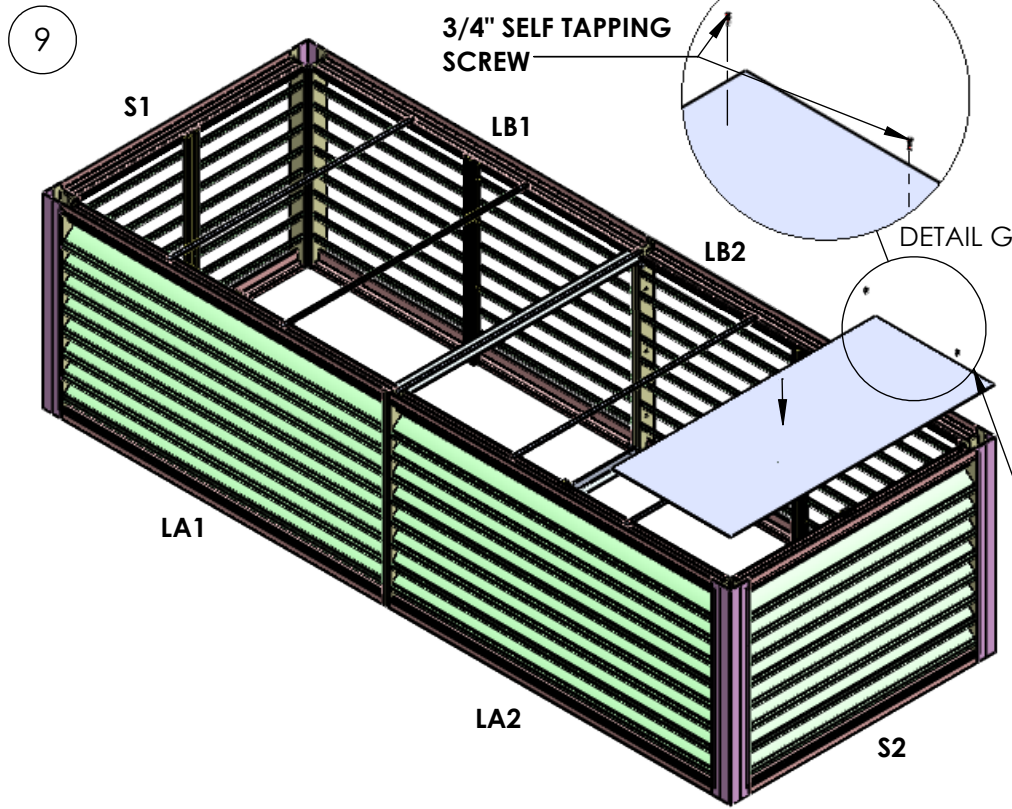
NOTE: 3 BOLTS FOR HEIGHT LESS THAN 72"
 4 BOLTS FOR 72" OR MORE



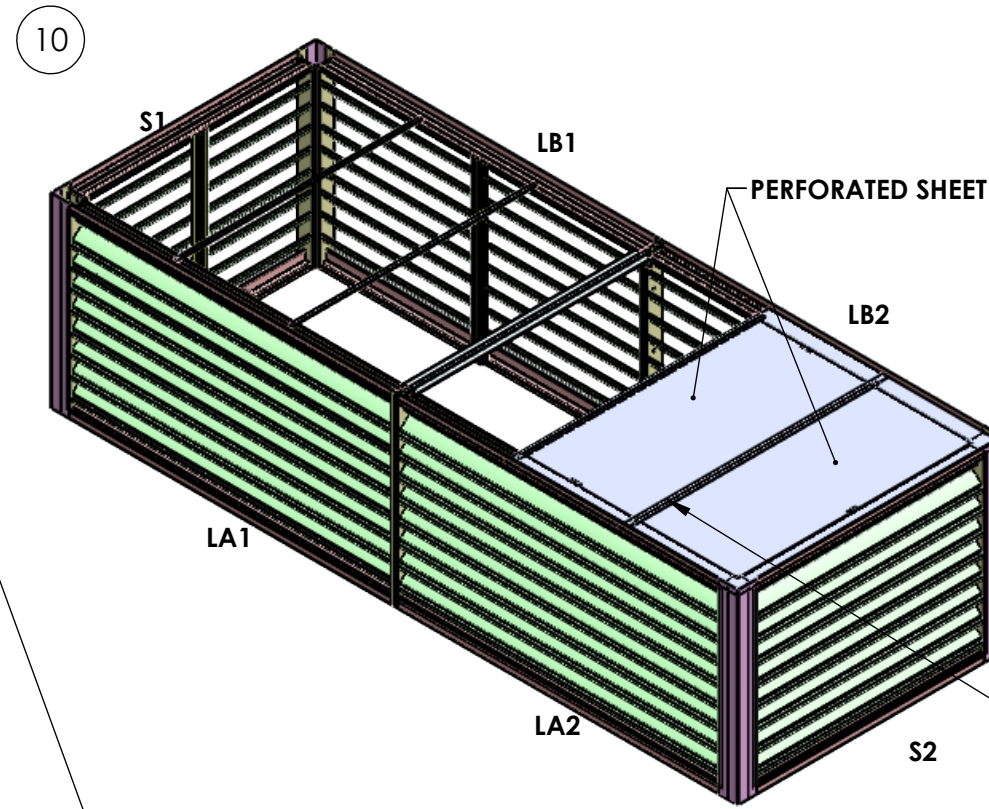
NOTE: ROOF SUPPORT ANGLES ARE
 SUPPLIED IF SIZE OF THE PENTHOUSE
 EXCEEDS 96" X 96"



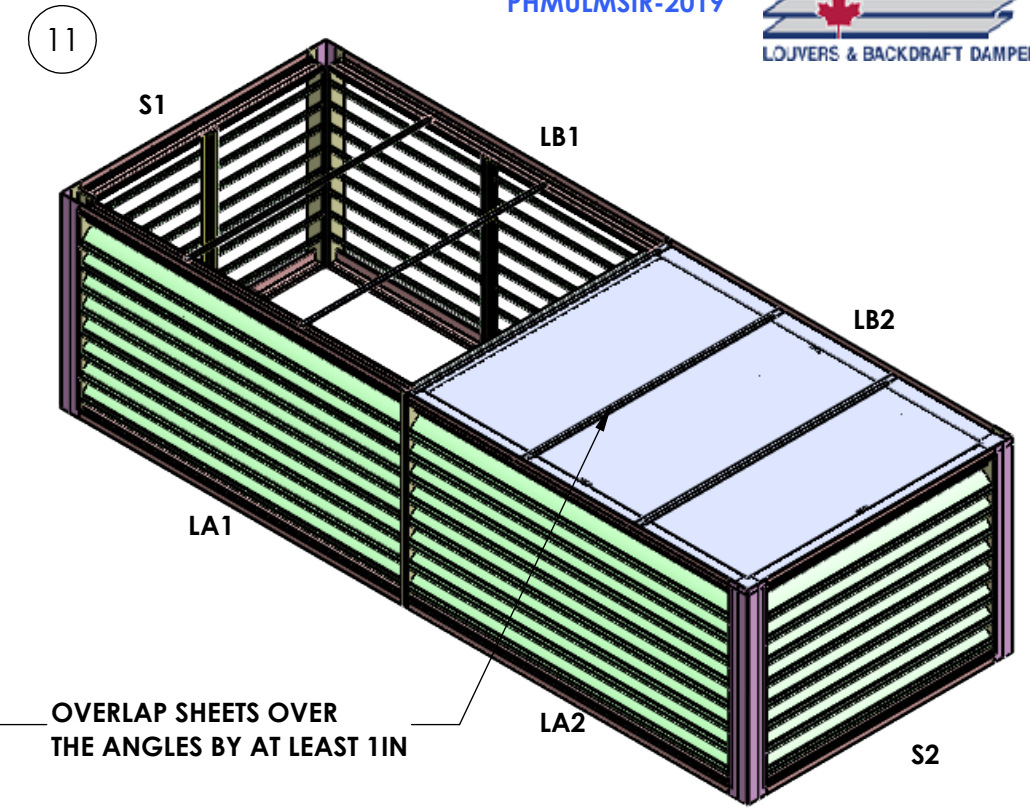
PENTHOUSE ASSEMBLY INSTRUCTIONS



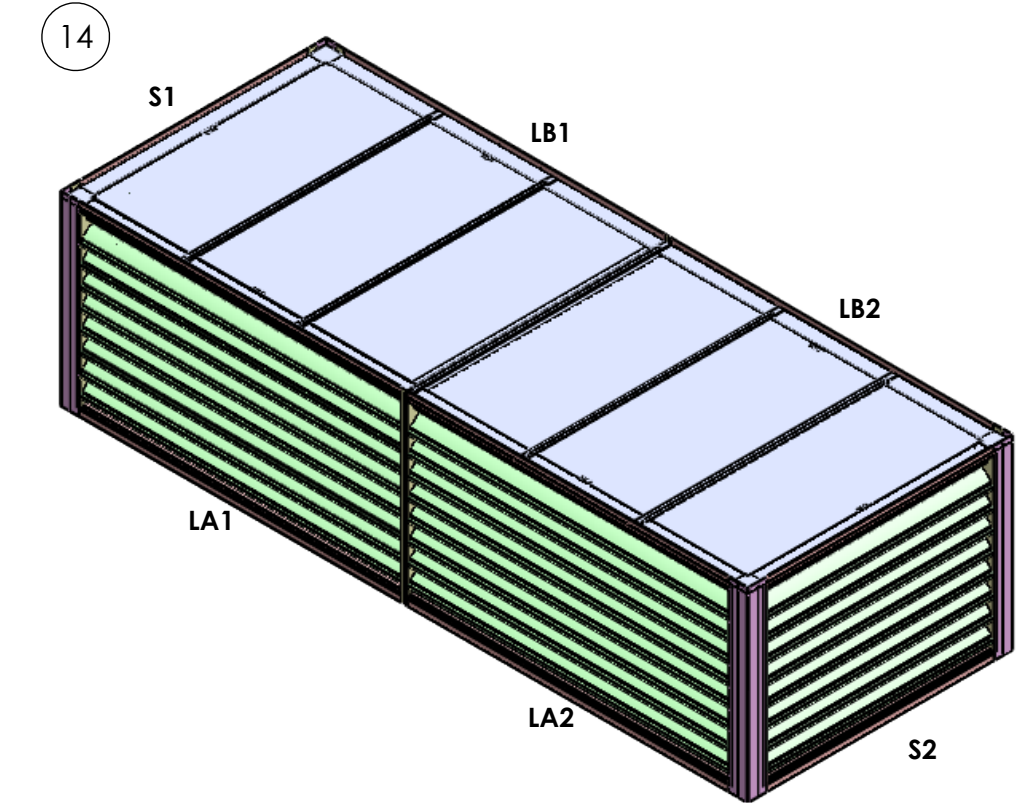
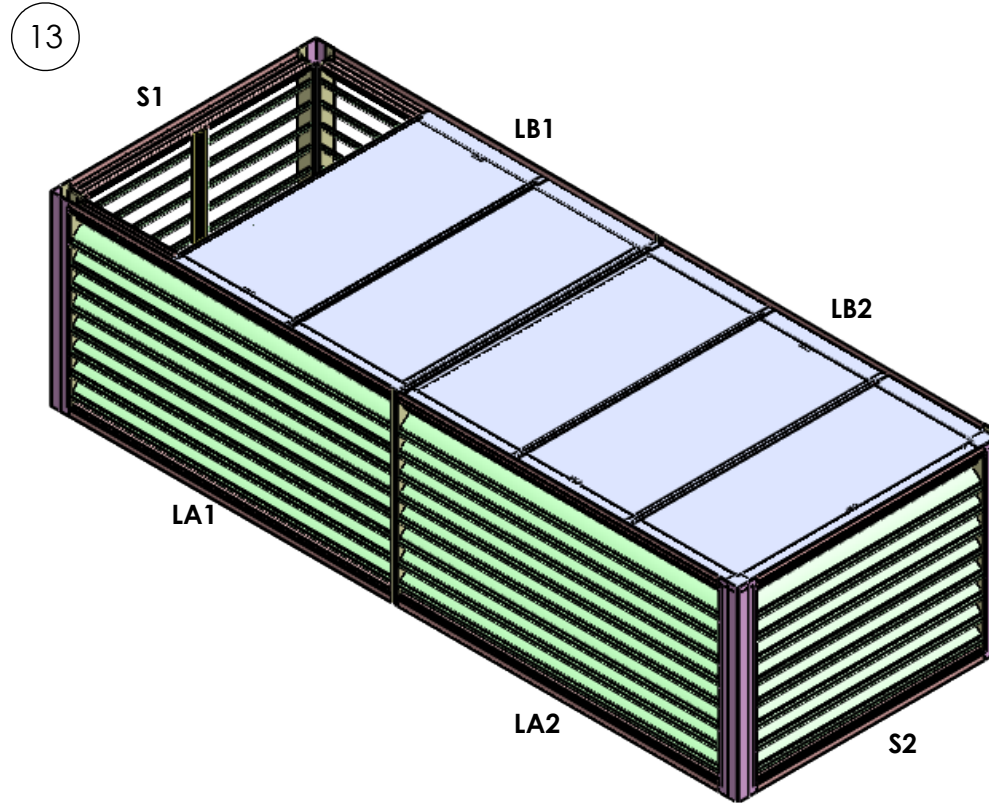
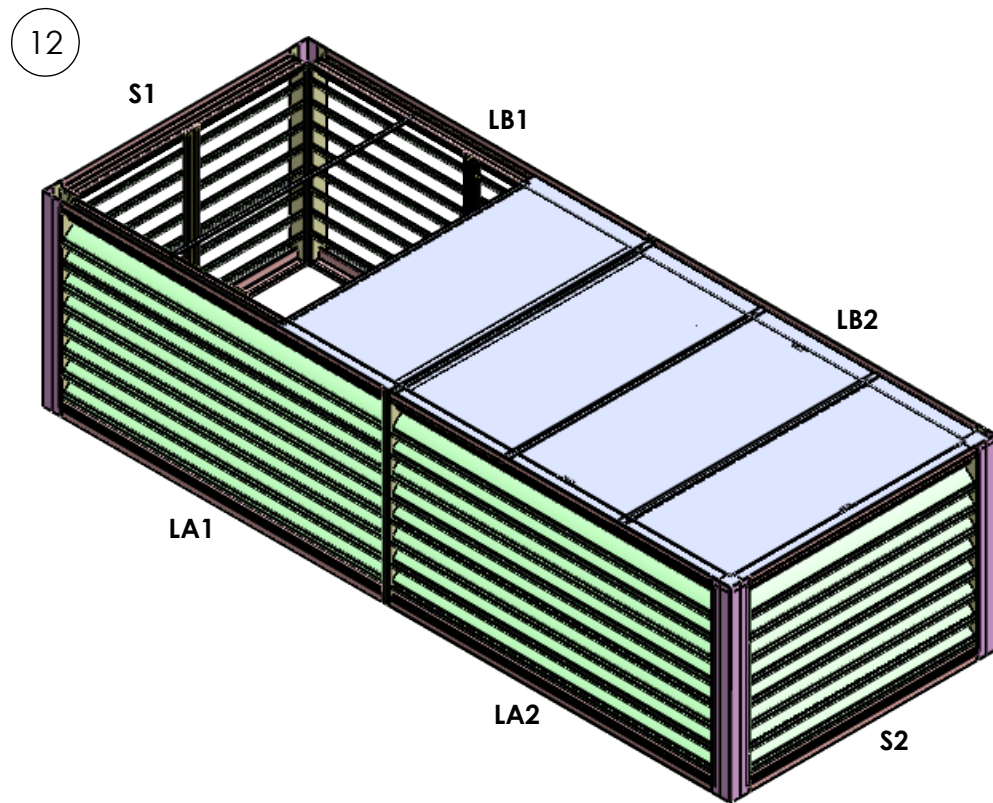
PUT PERFORATED SHEET ON THE TOP OF ROOF SUPPORT ANGLES AND SCREW THEM TO THE HEAD OF THE LOUVERS. (SEE DETAIL G)



PERFORATED SHEETS ARE SCREWED INTO THE ANGLES AT 16IN CENTERS ON EACH OVERLAP TO PREVENT IT FROM BUFFETING

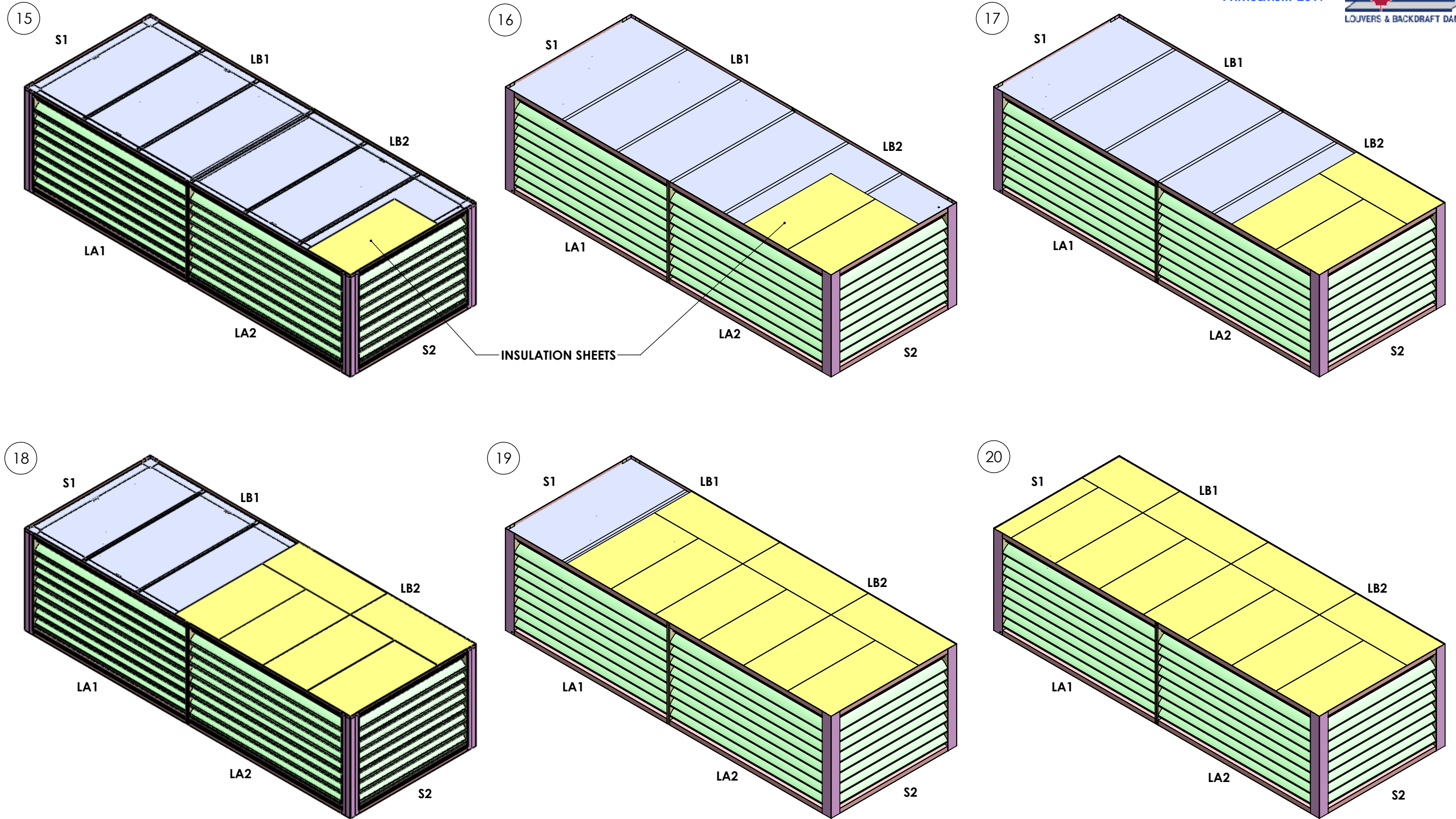


OVERLAP SHEETS OVER THE ANGLES BY AT LEAST 1IN



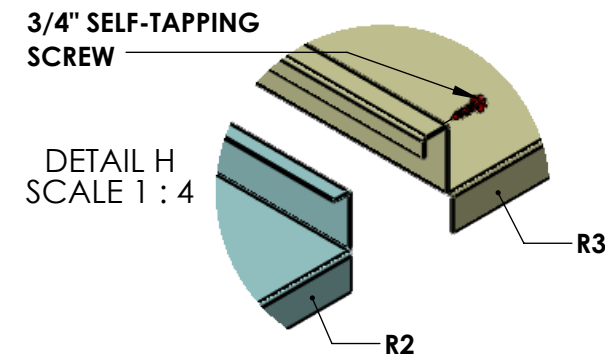
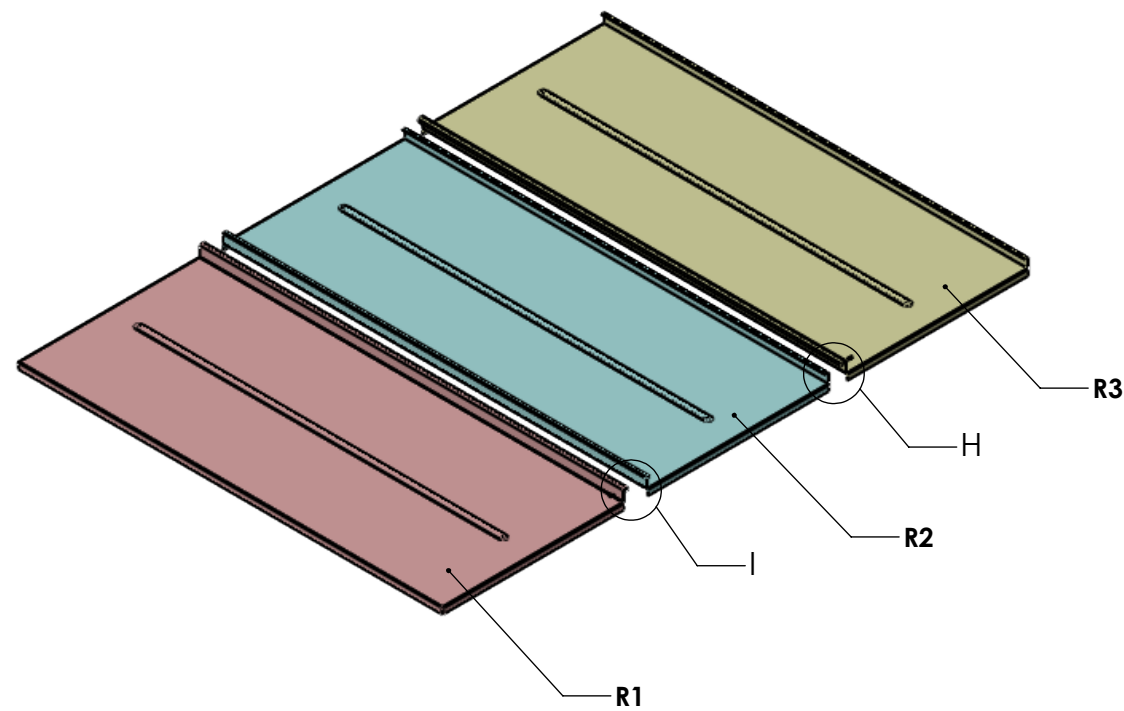
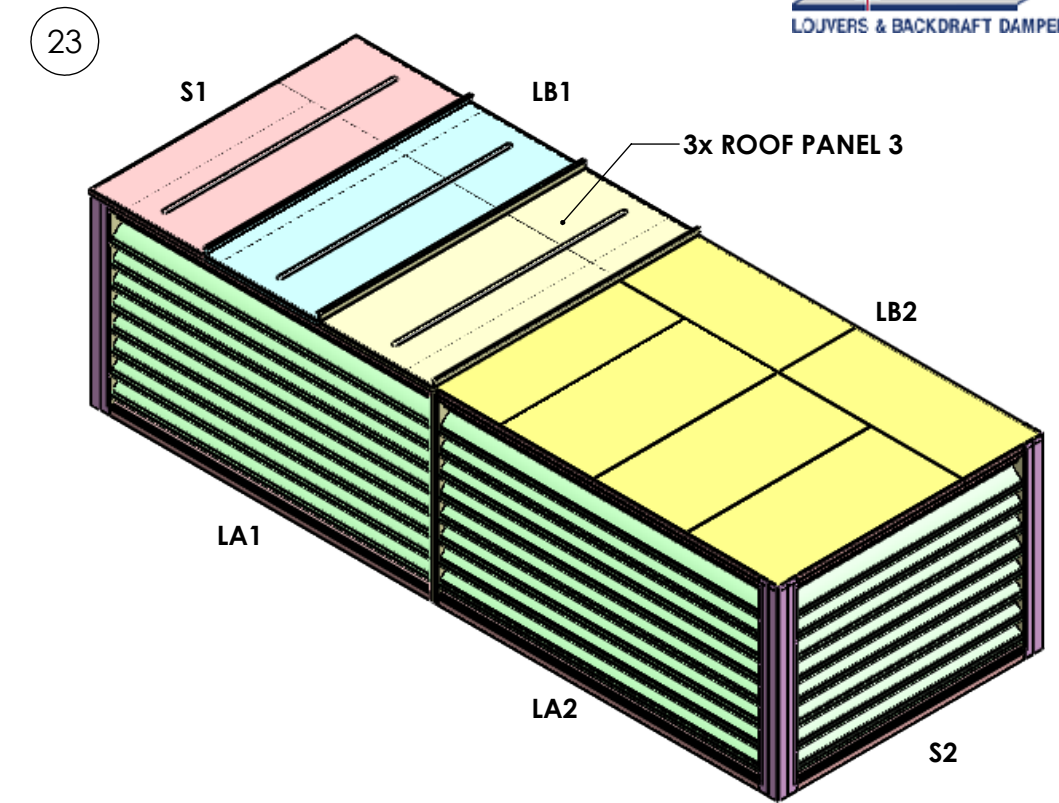
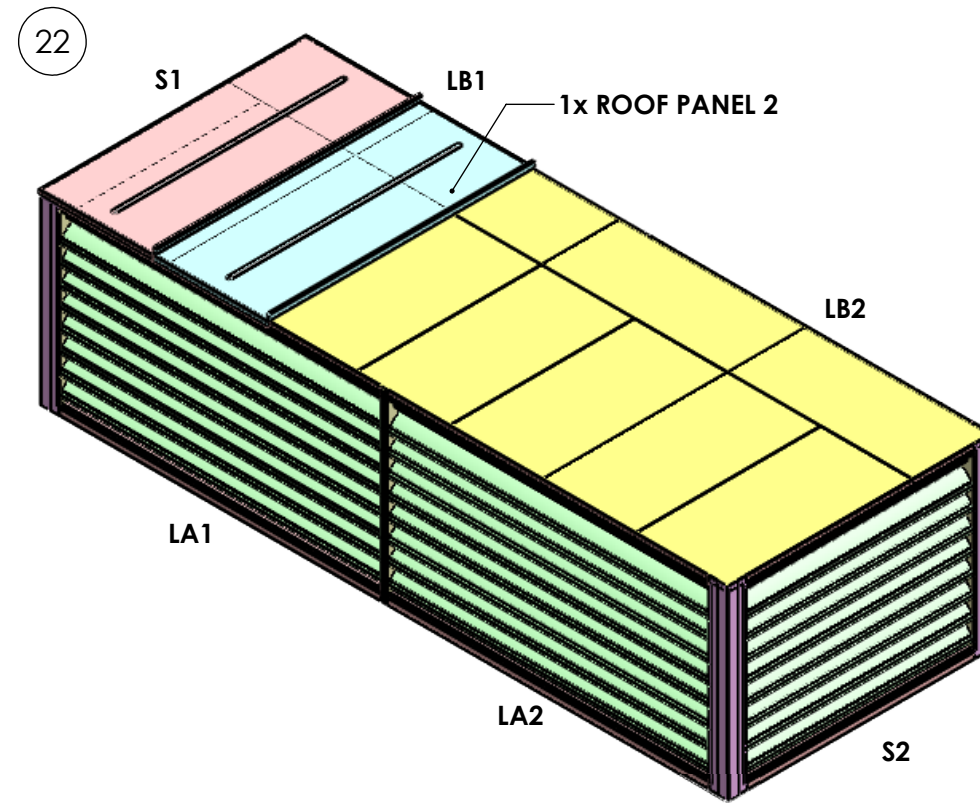
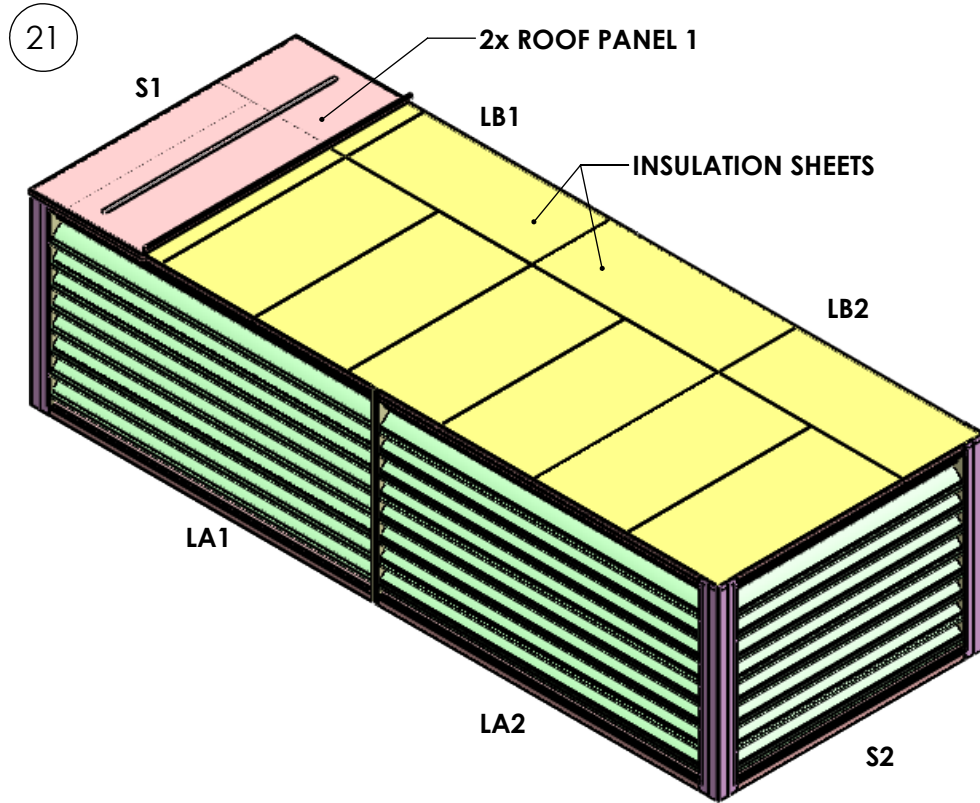
ASSEMBLE THE PERFORATED SHEETS AS SHOWN

PENTHOUSE ASSEMBLY INSTRUCTIONS

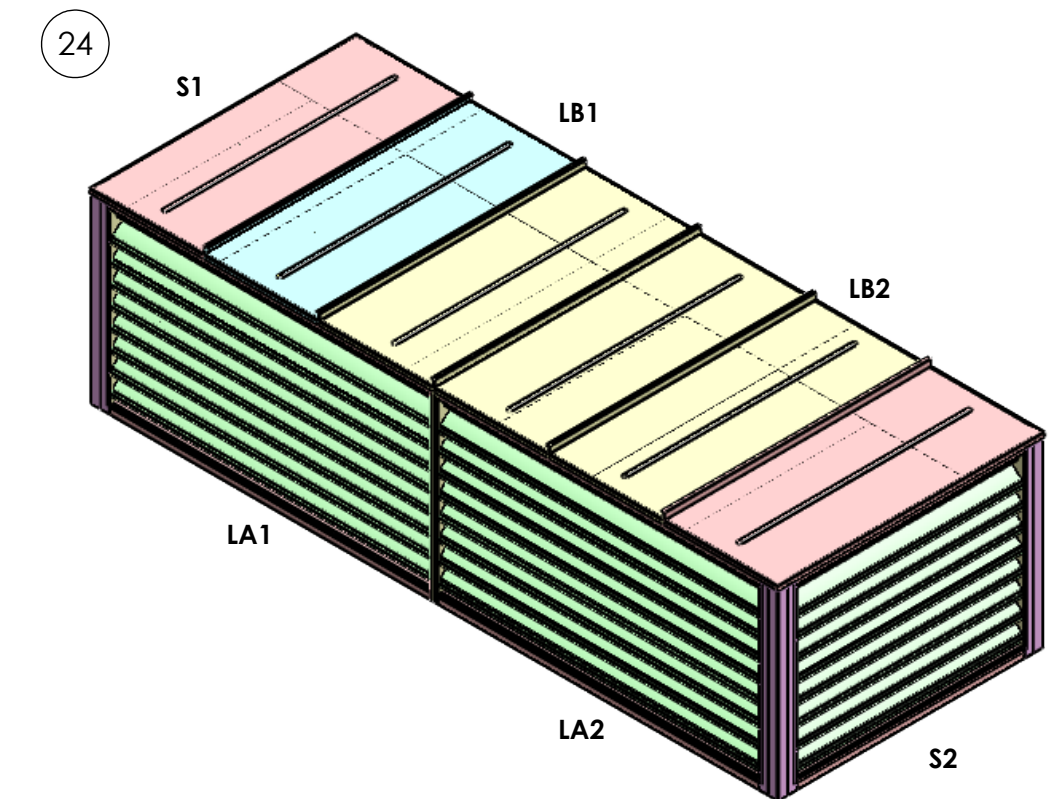
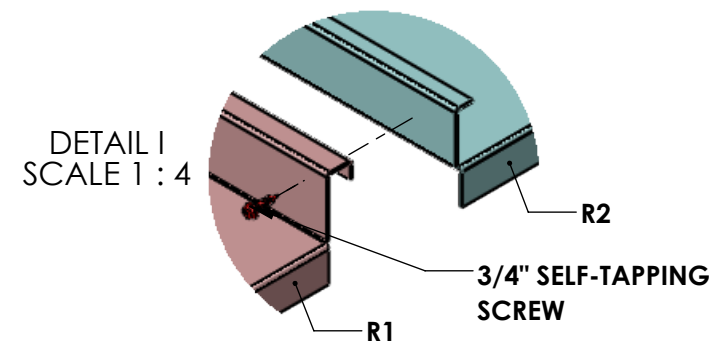


ADD THE INSULATION SHEETS ON TOP OF PERFORATED SHEETS AS SHOWN FOR MAXIMUM COVERAGE

PENTHOUSE ASSEMBLY INSTRUCTIONS



ALL 3 ROOF PANELS HAVE UNIQUE UPTURNS
 ROOF 1 HAS DOWNTURN ON S1 END
 ROOF 2 & 3 DO NOT HAVE DOWNTURNS ON LONG ENDS



COMPLETE PENTHOUSE ASSEMBLY

ASSEMBLE THE ROOF PANELS AS SHOWN
 SCREW THE ROOF FROM SIDES USING 3/4" SELF-TAPPING SCREW